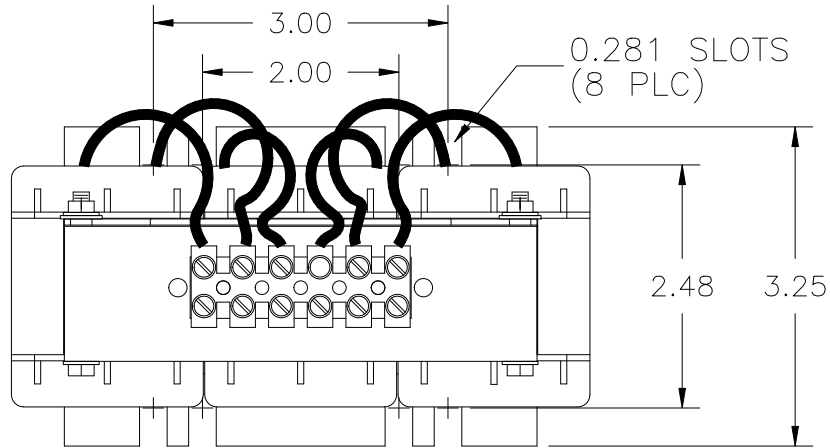


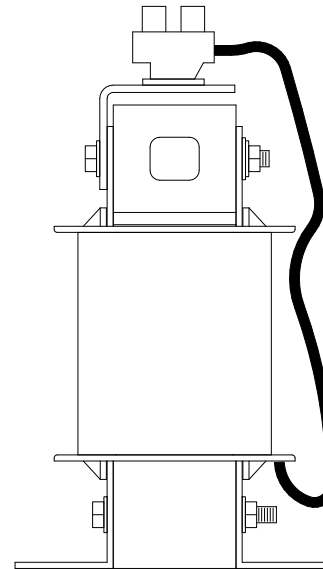
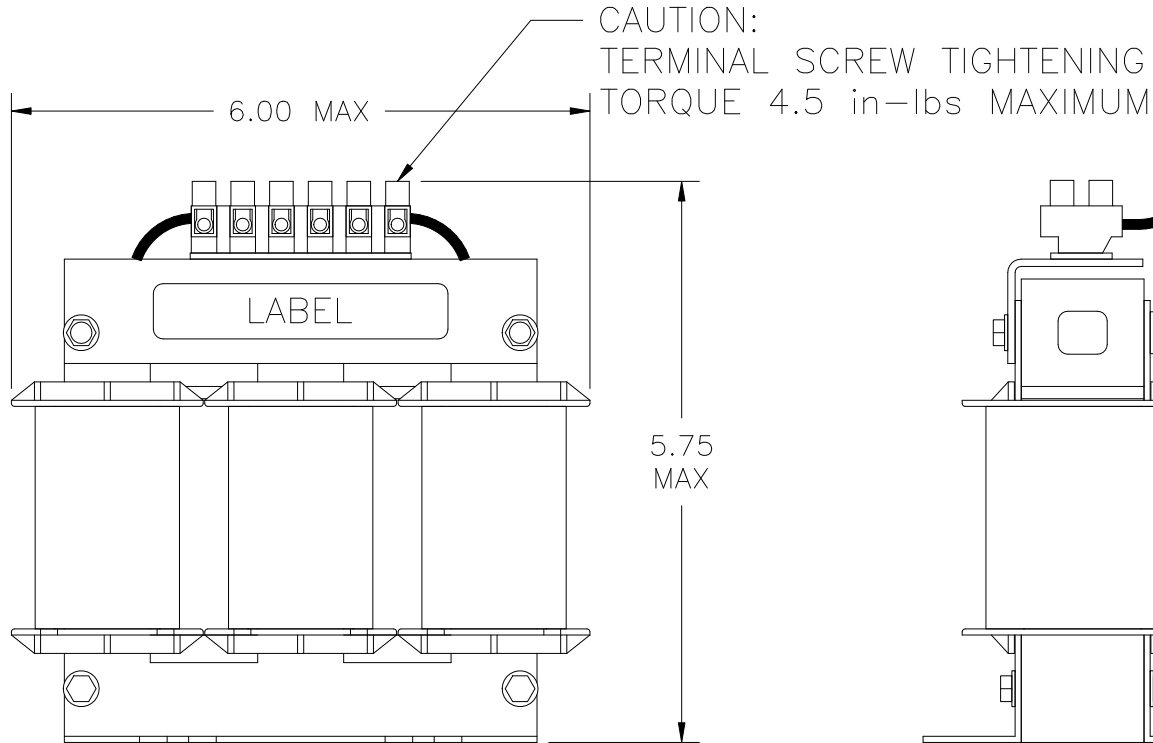
FILE: P:\DEPTS\ENGR\PROD DOCS\RLW\RLW-001406

| | | |
|------------|--------------|--------------|
| INDUCTANCE | WEIGHT (LBS) | LOSS (WATTS) |
| 3.3mH | 9.4 | 66 |

| | | | | |
|-----|--------------------|----|------|-------|
| NO. | CHANGE DESCRIPTION | BY | DATE | C'K'D |
|-----|--------------------|----|------|-------|



WIRE RANGE: 22-10AWG



UNLESS OTHERWISE SPECIFIED, DIMENSIONS ARE IN INCHES [mm] AND TOLERANCES ARE:

DECI. FRAC.
 ANGLES DRILLED HOLES

| | |
|--------------|--------------------|
| PART NAME: | 3 PHASE REACTOR |
| DESCRIPTION: | OUTLINE DIMENSIONS |
| FINISH: | |

| | | | |
|---|-----|--------|------------|
| MTE CORPORATION MENOMONEE FALLS, WISCONSIN | | | |
| CD RLW-001406 | | | REV. 02 |
| SCALE | NTS | DATE | 04/02/09 |
| C'K'D | | | |
| REF. | | DR. BY | RKT |
| | | APP'D | |